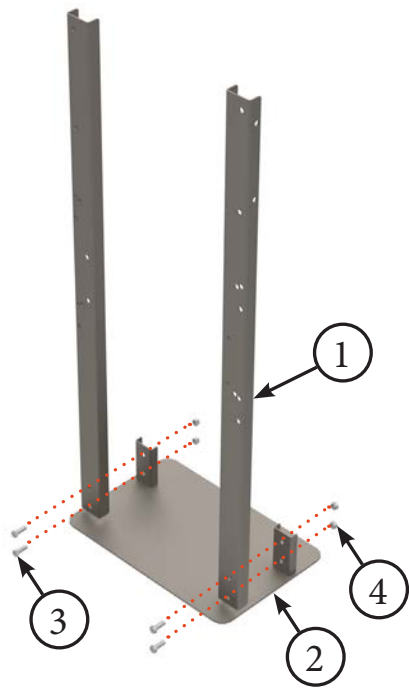


# Dealer Display Stand Instructions

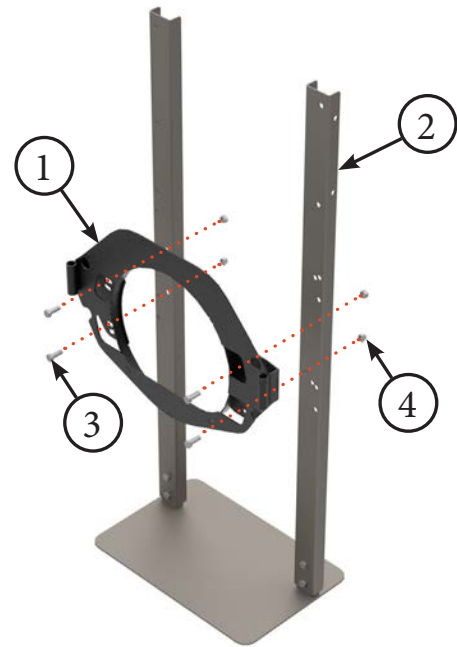


  
**AIRGUARD**  
SEEDING PRECISION



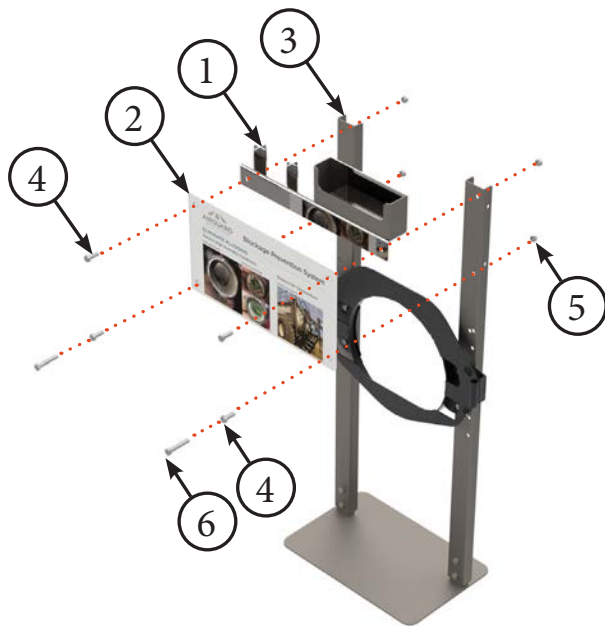
**STEP 1**

Attach display stand legs (Item 1) to base (Item 2) using 3/8" x 1" bolts and 3/8" hex nuts (Item 3 & 4)



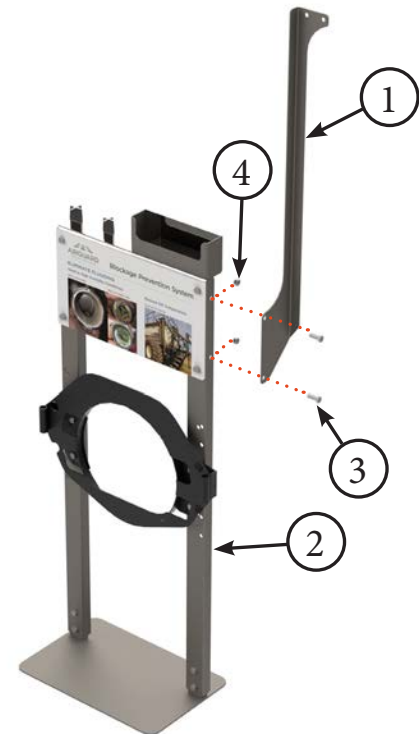
**STEP 2**

Attach BP System bracket (Item 1) to legs (Item 2) using 3/8" x 1" bolts and 3/8" hex nuts (Item 3 & 4)



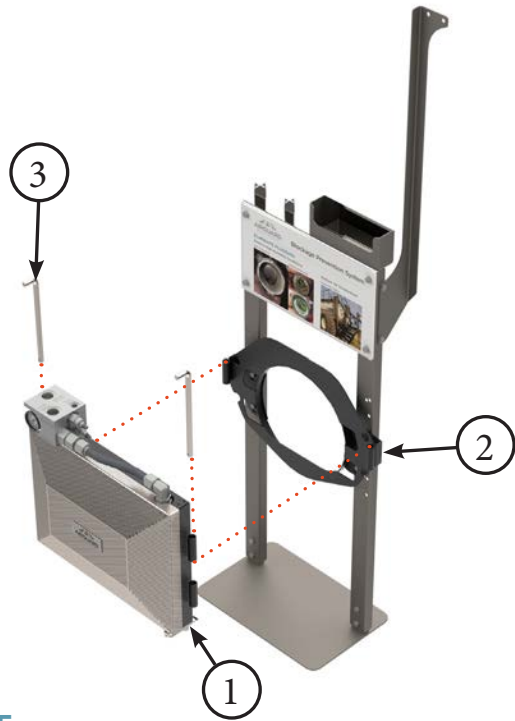
**STEP 3**

Assemble brochure holder (Item 1) and front graphic (Item 2) to legs (Item 3). Use 3/8" x 1" bolts and 3/8" hex nuts (Item 4 & 5). If installing optional snorkel, use 3/8" x 2" bolts (Item 6) for bottom holes.



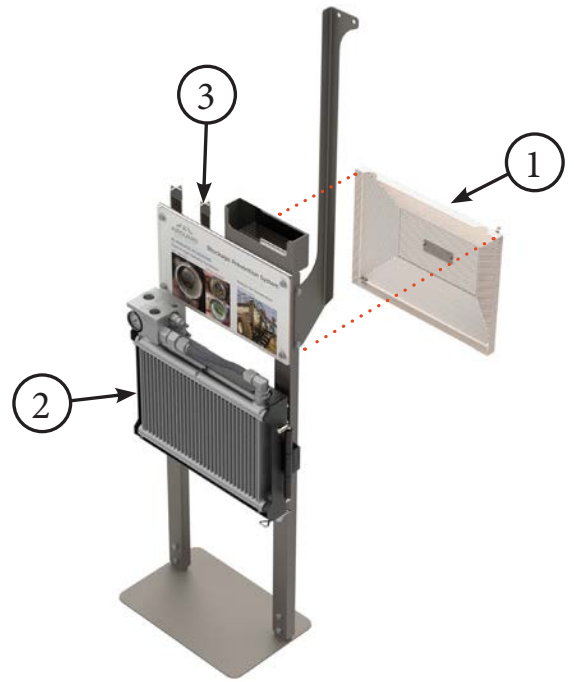
**STEP 4**

For optional snorkel kit, attach snorkel upright (Item 1) to leg (Item 2) using 3/8" x 1" bolts and 3/8" hex nuts (Item 3 & 4)



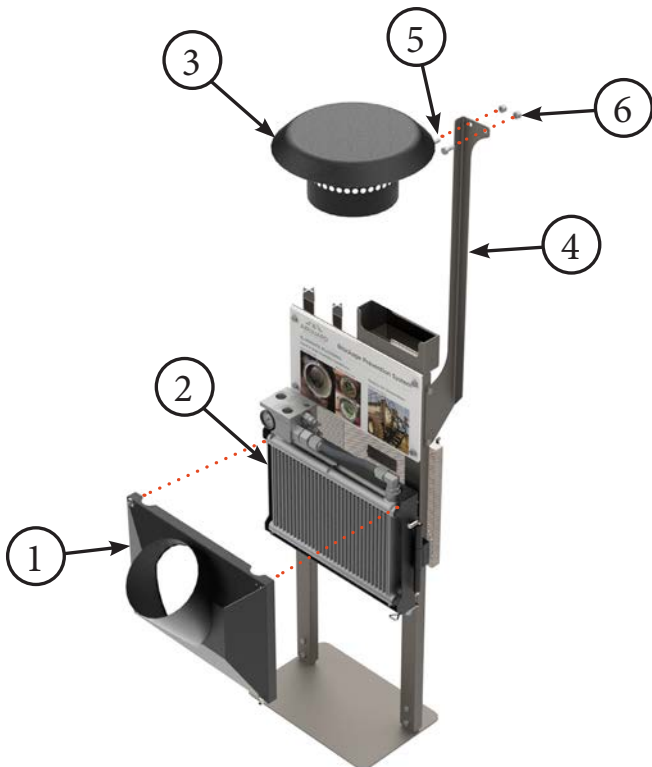
**STEP 5**

Attach Blockage Prevention System (Item 1) to stand (Item 2) using stainless pins (Item 3).



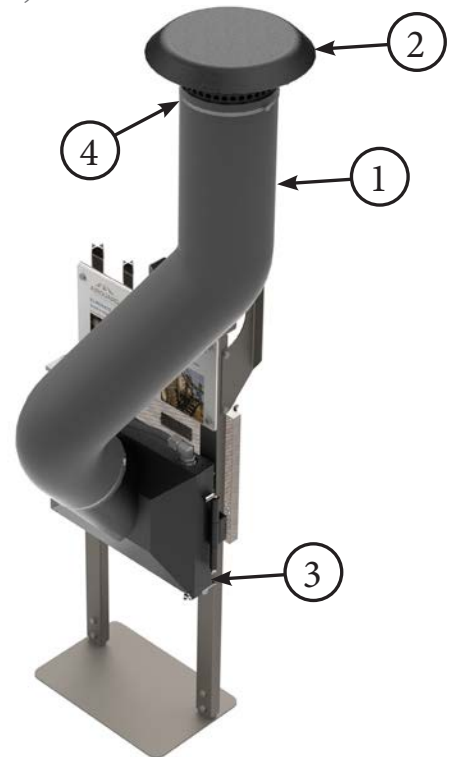
**STEP 6**

For optional snorkel installation, remove screen (Item 1) from Blockage Prevention System (Item 2). Hang screen (Item 1) on longer bolts on the back of the stand (Item 3).



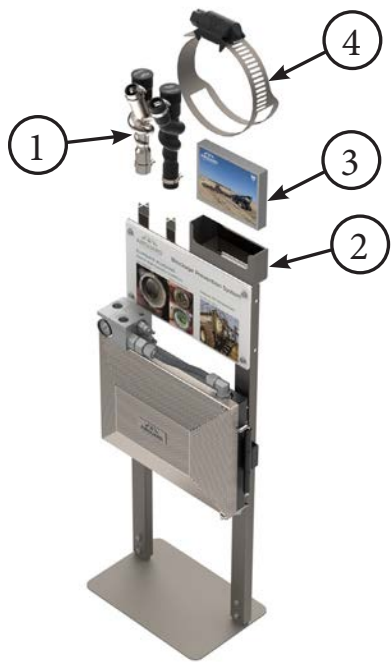
**STEP 7**

For optional snorkel installation, attach faceplate (Item 1) to Blockage Prevention System (Item 2). Attach snorkel inlet (Item 3) to snorkel upright (Item 4) using 10mm x 25mm bolts and 10mm nuts (Item 5 & 6).



**STEP 8**

Attach flexible Hose (Item 1) to Inlet (Item 2) and faceplate (Item 3) using provided 8" bridge hose clamps (Item 4).



**STEP 9**

Slide seed brakes (Item 1) onto brochure holder (Item 2). Place brochures (Item 3) into brochure holder (Item 2). Slide large sabre clamp display (Item 4) over brochures and holder.



**AIRGUARD DEALER DISPLAY  
WITHOUT SNORKEL OPTION**



**AIRGUARD DEALER DISPLAY  
WITH SNORKEL OPTION**