

## Fan Speed Adjustment

Fan speed (rpm) is available on the seed monitor. Have the seed monitor powered up for fan adjustments.

### Refer to Figure 77

ADC2350/E only: Fan shut-off valve must be open for fan to operate. Valve not present on model ADC2350B/BE.

## Hydraulic Fan Start-Up

With the ADC2350/E fan shut-off valve open, and the tractor at a low idle speed, energize tractor hydraulics for fan. Lock hydraulic lever in place for continuous operation. Refer to your tractor operator's manual for instructions on operating hydraulic motor.

## NOTICE

*Always engage the fan with the tractor at a low engine speed. Engaging the fan when the tractor is at high speed may cause fan damage.*

Check that the bottom of the fan rotor rotates toward the fan outlet port. If not, reverse the direction of the hydraulic flow from the tractor.

Run fan for at least 15 minutes before seeding. Hydraulic fluid must be warm before fan and wing down pressure will operate properly.

1. Check bin-lid and meter-box seals for air leaks. Adjust the latch or replace the seals to prevent leakage.

Note: It only takes a very small air leak to cause large variations in the seeding rate and pattern.

2. Watch the seed monitor and adjust fan speed by increasing or decreasing hydraulic flow from the tractor. Use the following guidelines and the fan speed chart at right to properly adjust fan speed.
  - Higher fan speeds improve seed distribution, but high fan speeds also increase the chance of seed damage and bounce.
  - At first, adjust fan speed to the high end of the range suggested in the chart at right. Watch for excessive seed cracking and seed bounce from the furrow, then reduce fan speed if necessary.
  - Follow the chart at right as a guide. Actual fan speeds will vary with implement width, row spacing, seeding rates, seed weights and seed size. Increase fan speed for heavier seeding rates or seed. Reduce fan speed for lighter seeding rates and seed more prone to cracking.

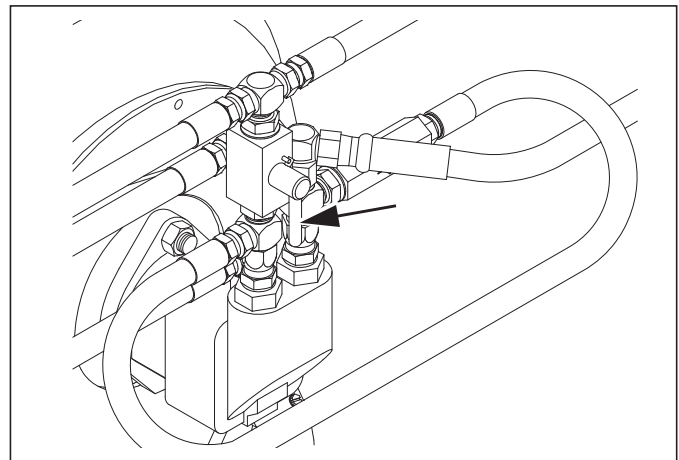


Figure 77  
Fan Shutoff Valve (Open)

29582

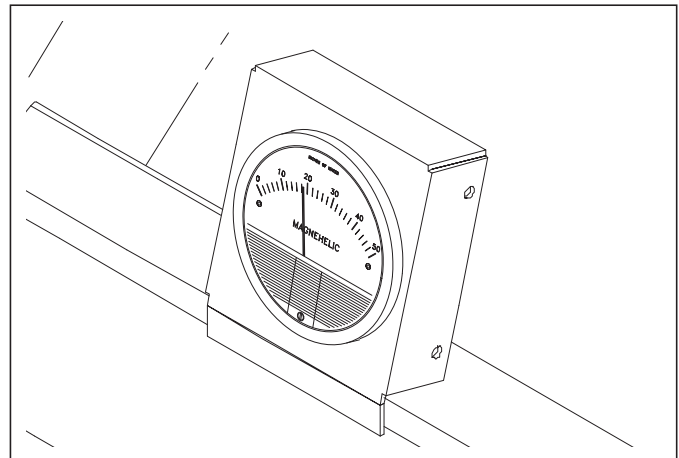


Figure 78  
Fan Air Pressure

26425

### Recommended Fan Speeds

Seeds	Fan RPM
Sunflowers	2,250 to 3,000
Wheat	3,250 to 4,000
Soybeans	2,750 to 3,500
Milo	3,250 to 4,000